

CAMON

C500 STUMP GRINDER

**IMPORTANT
PLEASE READ CAREFULLY**

**OPERATOR
MANUAL**



Teknol House, Victoria Road, Burgess Hill RH15 9LH
T: 01444 247689 F: 01444 871612 I: www.tracmaster.co.uk

OPERATION

Operation

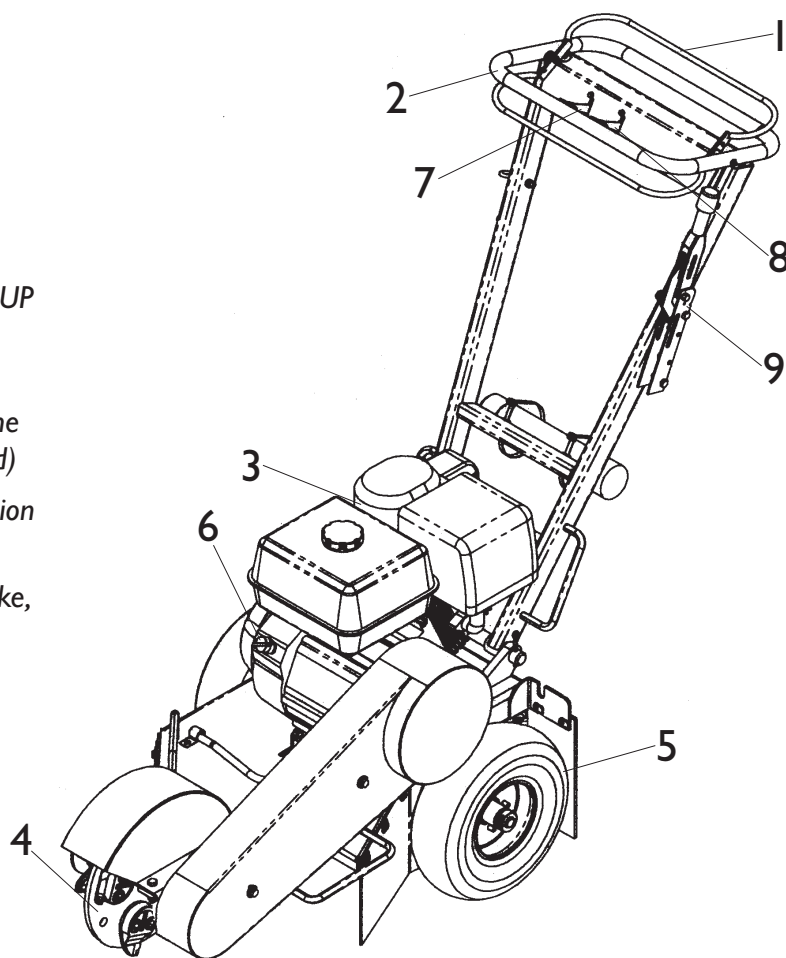
! WARNING

Before operating, please consult the SAFETY section for vital information relating to the operation of this powerful machine.

Know Your Machine

General Identification

- (1) Operator presence control
- (2) Handlebar
- (3) Engine
- (4) Cutter wheel
- (5) Wheels
- (6) Engine switch (see the *NORMAL START-UP* section for instructions on how to start engine)
- (7) Throttle (move forward to increase engine speed, pull back to decrease engine speed)
- (8) Choke (see the *NORMAL START-UP* section for instructions on how to start engine)
- (9) Brake lever (pulling back will set the brake, pushing it down will release it)

**! WARNING**

A rotating cutting wheel is very DANGEROUS! Stand at controls and ensure that cutting wheel comes to a complete stop before doing anything else.

OPERATION

Transporting the Machine

The C500 is designed to be transported via a van or small trailer. The machine is equipped with grab bars that are to be used for both lifting the machine, and strapping it down. This machine weighs approximately 118kg and should only be lifted by a minimum of two people in proper physical health. Know your limits.

There are legal road requirements for towing equipment and trailers (such as lighting and licensing). It is the owner/operator's responsibility to be aware of these laws and to adhere to them.

Pre-Starting Inspection

NOTICE

To ensure the long life and economical operation of your C500, we highly recommend that the owner/operator be well instructed in both the operation and maintenance of this machine.

Inspect the machine and perform each of the "10 Service Hours or Daily" (see MAINTENANCE section) maintenance inspections and services as found necessary before operating the machine.

Starting the Engine

WARNING

Read and understand the SAFETY section of this manual, in its entirety, before proceeding.

WARNING

Do not start the engine until the machine is in the cutting position, next to the stump!

1. Lock travel wheel by pulling brake lever fully back.
2. Make sure engine switch is "ON".
3. Make sure throttle is in "SLOW" position.
4. If engine is cold, move the choke lever to the closed position.
5. Depress the operator presence lever.
6. Raise the cutter wheel off the ground 4" to 5" by pushing downward on the control handle. Hold it in that position.

WARNING: The next step may cause the cutter wheel to rotate. Keep everyone away!

7. Pull the starter rope lightly until resistance is felt, then pull briskly.
8. Move the choke lever to the open position.

WARNING: The next step causes the cutter wheel to rotate. Keep everyone away!

9. Move the throttle to "FAST" position. If the engine is cold, allow the engine to idle (throttle set to "SLOW" position) for a few minutes before cutting.

OPERATION

Removing Stumps

! WARNING

Before operating, please carefully review the SAFETY section for vital information relating to the operation of this powerful machine!

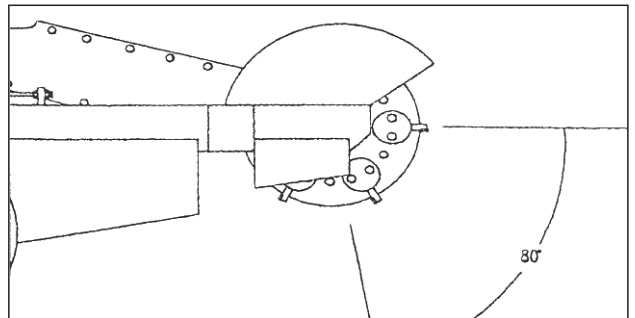
NOTICE

Remove all loose pieces of wood, stones, wire and other debris from the work area before beginning stump removal.

Wind direction should be considered, as it influences the direction in which dust and wood chips will be directed.

Never operate the machine after dark. Night time operation will not allow the operator to see the stump and danger zone adequately enough for safe operation.

Always allow a cold engine time to warm up before cutting a stump.



! WARNING

Only the portion of cutting wheel within the 80° area shown above should engage the stump. Never undercut the stump or use the bottom of the cutting wheel for cutting purposes.

OPERATION

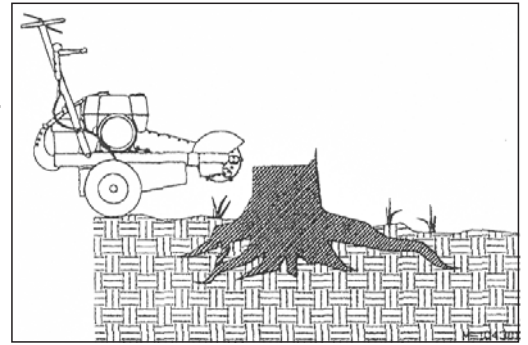
Procedure for Cutting a Stump

⚠ WARNING

Never leave controls when cutting wheel is rotating!

1. Prepare machine at stump

- Place machine into position with cutting wheel near top edge of stump.



NOTICE

Before operating the C500, review MACHINE CONTROLS presented earlier in this OPERATION section, for a refresher on the function and use of each control and component.

- Conduct the pre-starting inspection (if not already done), start the engine, and conduct the pre-operation warm-up, as previously discussed in this OPERATION section.

⚠ WARNING

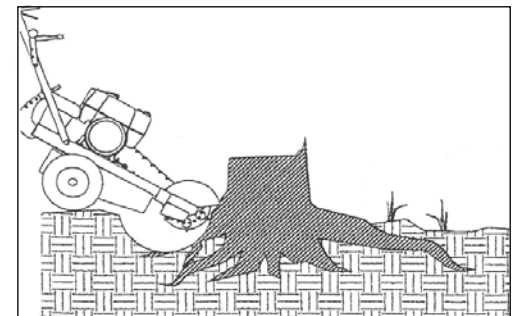
Keep everyone away when cutting wheel is ON!

- Lock the brake by pulling back the brake lever.

2. Remove roots

- Make sure the throttle is set to "FAST". The cutter wheel is thus accelerated to cutting speed.
- Swing the cutting wheel to one side, then lower it approximately 1" into the nearside roots that are buried at the foot of the stump. Swing the cutting wheel across the roots, back and forth, lowering cutting wheel approximately 1" before each sweep, until the roots are sufficiently removed.

- Raise the cutting wheel until centre of cutting wheel is just above the top of the stump. Allow the cutter wheel to stop, release the brake, and reposition the machine. Lock the brake again.

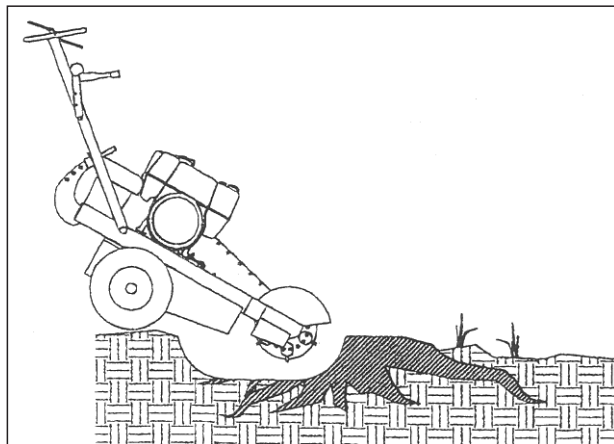


OPERATION

Procedure for Cutting a Stump *(continued)*

3. Cut stump proper

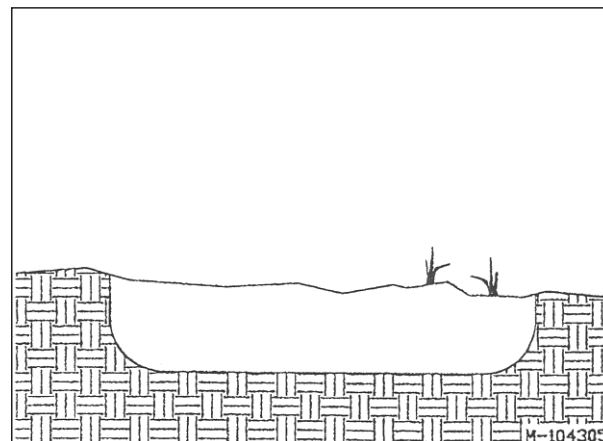
- Make sure the throttle is set to “FAST”. The cutter wheel is thus accelerated to cutting speed.
- Direct the cutter wheel against the stump, beginning with the nearside top corner of the stump, and steadily sweep it across the stump left and right, cutting away $\frac{1}{2}$ “ of wood with each sweep.
- Raise and lower the cutter wheel, between sweeps as needed, by lowering and raising the control handle.



- Roll the machine forward and back, by pushing and pulling on the control handle, between sweeps as needed, in order to progress into the stump. To do this, release the brake. Re-lock it when the machine has been repositioned, and continue cutting.

4. Continue with final roots removal

- Cut the remaining roots as described in STEP 2 until satisfactorily removed.



5. Shut off the engine by releasing the operator presence lever.

OPERATION

Machine Stopping

1. When stopping the machine after normal operation, lower engine speed to “SLOW”, and release operator presence control.

 **WARNING**

A rotating cutting wheel is very DANGEROUS! Stand at controls and ensure that cutting wheel comes to a complete stop before doing anything else.

2. Set park brake before leaving controls.
3. Turn engine switch to “OFF”.

Helpful Tips for Operating Machine

1. Use smooth, comfortable speeds while operating.
 2. When it is desired to cut smaller roots, it may be more effective to do so before, rather than after, cutting the stump.
 3. Should the chip build-up become excessive when cutting, shut off the machine, wait for the cutting wheel to stop rotating, retract the machine from the stump, and rake away chips. It is also possible to use the cutter wheel to push chips off to the side.
 4. On larger stumps, when cutting from one side, eventually a tyre may tend to roll into the hole. This may be prevented by moving the machine to another side of the stump to continue removal, or by filling the hole with chips before continuing.
-

SAFETY

While in Operation

1. Know how to shut the machine off in an emergency.
 2. The operator must never leave the controls while the machine is in operation.
 3. Never let clothing, long hair, jewelry, etc hang loosely. It is possible that they can become dangerously entangled in the moving parts or in the controls of the machine.
 4. Keep head, hands, and feet away from moving parts at all times.
 5. The engine should not be started within a building unless it is properly ventilated so as to eliminate the breathing of exhaust fumes, which can cause death.
 6. Check for proper operation of all controls and protective devices while operating them slowly.
 7. Extreme caution must be exercised when cutting stumps on slopes, as the machine may shift or slide unpredictably. Never attempt to cut with the machine uphill or downhill from your person. The machine may slide toward you, or you may fall toward the machine. Cut only on a slope from the side. Never attempt to cut on a slope exceeding 15°.
 8. Never operate the machine after dark.
 9. Wear appropriate safety equipment, including protective eyeglasses, face shield, protective footwear, and hearing protection.
 10. For safety, local or job site operating directives may require a greater distance from obstacles.
 11. Keep eye contact with cutting wheel at all times that it is rotating.
 12. Use only the front lower portion of the cutting wheel below the shaft. Never undercut the stump, or use the upper portion of the wheel for cutting purposes.
 13. Occasionally, a curtain may become displaced in such a way as to leave a normally covered area exposed. Shut down the machine immediately if it occurs, and reposition the curtain before continuing operation.
 14. Ensure that everyone in the vicinity is aware of the DANGER ZONE associated with this machine. (See BEFORE STARTING THE ENGINE section). You and they must avoid the DANGER ZONE at all times when the machine is in operation.
-

SAFETY

Normal Shutdown Procedure

In consideration of your own safety as well as that of others, you should always use the following normal shutdown procedures before departing from the controls for any reason, including cleaning, servicing, transporting, or inspecting the stump grinder. Never deviate from this procedure unless so instructed in this manual or an emergency requires it.

1. Move the engine throttle to the “SLOW” position.
2. Release operator presence control.

WARNING

A rotating cutting wheel is very DANGEROUS! Stand at controls and ensure that cutting wheel comes to a complete stop before doing anything else.

3. Set park brake before leaving controls.
 4. Turn the engine switch to the “OFF” position.
-

Emergency Shutdown Procedure

1. Immediate release of the operator presence control will automatically shut off the engine.
2. Be sure to allow all moving parts to come to a complete stop.

WARNING

A rotating cutting wheel is very DANGEROUS! Stand at controls and ensure that cutting wheel comes to a complete stop before doing anything else.

3. Correct the emergency situation, and return to normal operation.
-

SAFETY

Before Starting the Engine

1. Review all of the safety decals that are placed on the machine for your safety and convenience. See PARTS section for aid in locating all decals on the machine.
2. Make sure that all shields, guards, and curtains are in place, and are in good condition prior to operating the machine.
3. Only responsible, properly instructed individuals should operate this machine. Inexperienced operators must always be carefully supervised.
4. Check cutting wheel for damage or missing teeth, and replace as necessary.
5. Make sure that no-one is working on, underneath, or close to the machine before starting the engine or beginning to move the machine. Make sure that the area is free of personnel.
6. Check stumps to be removed for embedded nails, wire, metal fence posts, and other metallic objects, and for rocks or other buried impediments which may become dangerously thrown or cause unexpected machine movements when hit by the cutting wheel.
7. Ensure that everyone in the vicinity is aware of the DANGER ZONE associated with this machine (see diagram right). You and they must avoid the DANGER ZONE at all times when the machine is in operation.
8. Make no alterations or modifications to your CAMON Stump Grinder unless requested or recommended by Tracmaster Ltd.
9. Check with the local utilities for the locations of buried pipes and cables where applicable, before operating the machine.

