

High Lift Pallet Trucks

1

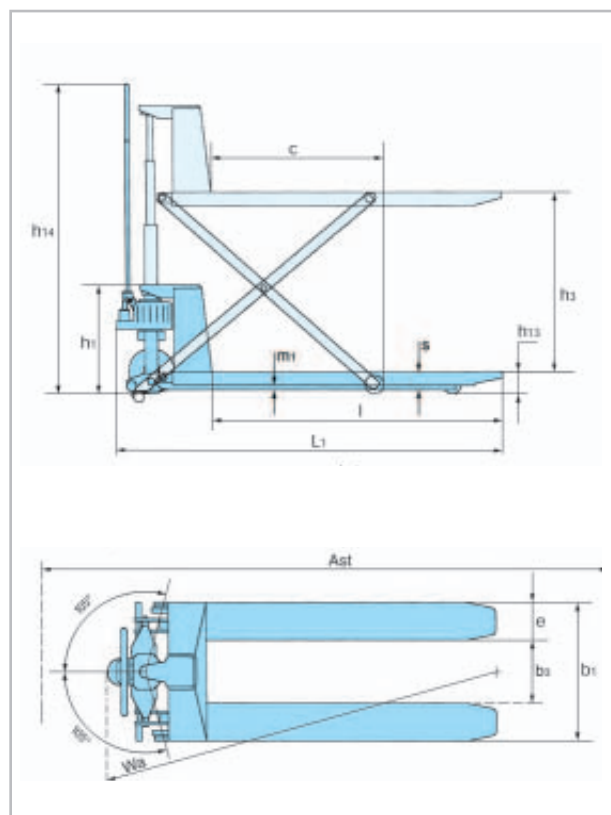


silberblau HIGH LINE

HU 10-XP

Manual drive and manual lifting

Choosing the high lift pallet truck HU 10-XP you will get more than only a „lifting-platform“ with a lifting capacity of 1000 kg for your workshop. The HU 10-XP can also be used as a hand pallet truck due to its heavily reduced weight and extra-easy maneuvering. Therefore not only the very low height of chassis of 432 mm has to be pointed out and the mechanic quick lift offers another highlight! This allows you can enjoy the freedom of faster but effort-saving lifting of loads up to 800 mm within approx. 23 shaft strokes or with the double numbers of strokes by using the „standard“ lifting method.



Type	HU 10-XP	
Art. No.	034528120	
Lifting capacity in t	1,0	
Steering-/load wheels*	PUR/PUR	
Wheel size front in mm	200x50	
Load wheel size rear in mm	78x60	
Number of wheels front/rear	2/2	
Lifting height in mm	h_3	715
Load center in mm	c	600
Height of chassis in mm	h_1	432
Height of steering handle in mm	h_{14}	1240
Height when lowered in mm	h_{13}	85
Total length in mm	L_1	1535
Total width in mm	b_1	540
Fork length in mm	l	1170
Fork width in mm	e	160
Fork height in mm	s	45
Carrying fork width in mm	b_1	540
Clear width in mm	b_3	220
Floor/Ground clearance in mm	m_1	45
Lift per pump stroke	31/12	
Quick lift / normal lift in mm	31/12	
Aisle width for euro pallets in mm	Ast	1815
Turning radius in mm	Wa	1330
Weight in kg	127	

* Polyurethane (PUR)