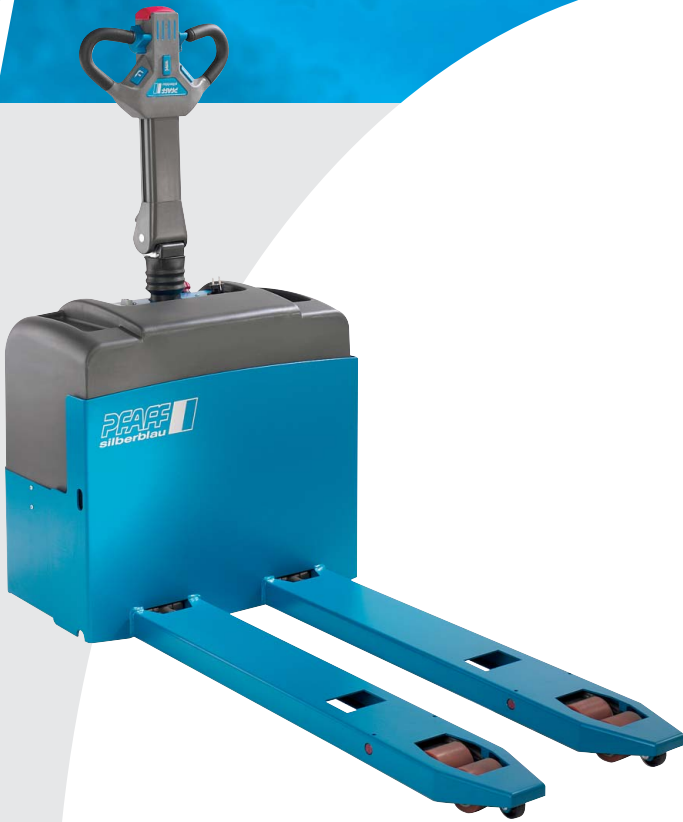




# Material Handling Equipment

## Electric Pallet Trucks

1



### EGU 15 P PROLINE

#### Electrical drive and electrical lifting

Introducing: the new champion of the electric pallet trucks within the class of light and normal duty: Small and compact with exceptional maneuverability, comfortable to drive and steer, completely electronically controlled and with its lifting capacity of 1500 kg it can really take a lot! With a total width of only 780 mm the innovative powerful unit is bursting with energy due to the standard-fitted semi-traction batteries, its driving motor performs 700 watt and the pump motor provides 800 watt.





## Electric Pallet Trucks

1

### EGU 20 P PROLINE

#### Electrical drive and electrical lifting

Multi-purpose, economical electric pallet truck for professional lifting tasks up to loads of 2000 kg. A compact short construction, with comfortable speed control and enhanced safety equipment. Tandem load wheels made of polyurethane ensure perfectly smooth running even over delicate floor surfaces. With its compact housing chassis measuring 572 mm you profit from its extremely tight turning radius. Its sensitive steering will give the necessary support when being operated in small areas.

- Battery-powered drive and lifting actuation with 24 V
- Emergency cut-off switch at shaft head
- Supporting wheels on both sides
- Protection against overload due to pressure control valve
- Battery 24 V/160 Ah or 230 Ah



EGU 20 P



EGU 22 P

### EGU 22 P PROLINE

#### Electrical drive and electrical lifting

Heavy jobs easily done: our robust electric pallet truck is delivering its best – everyday! Easy handling of loads up to 2200 kg or 3000 kg. Due to the spring operated driving wheel it easily levels up on uneven ground and also can negotiate bay ramps. If required the EGU 22 P is ready for extraordinary performance. Please ask for our special purpose models!



Chart and diagram see page 28

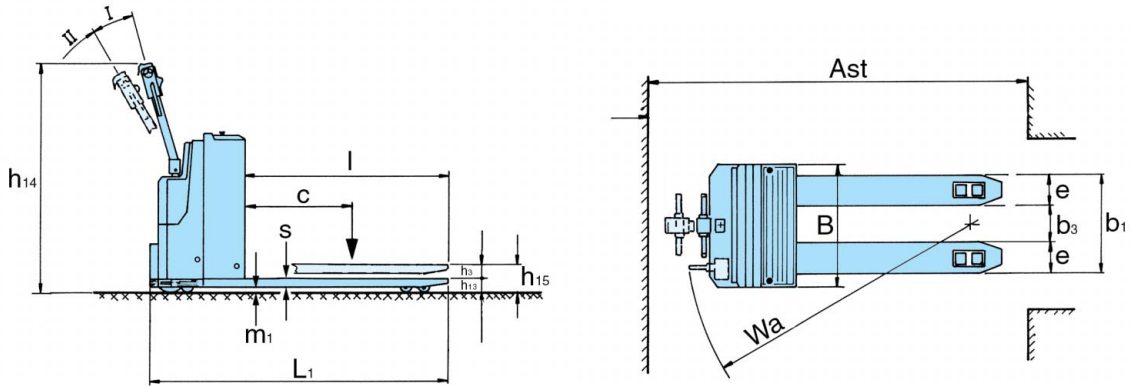


# Material Handling Equipment

## Electric Pallet Trucks

1

Type EGU 15 P / EGU 20 P / EGU 22 P



Type		EGU 15 P	EGU 20 P	EGU 22 P
Art. No.		040010023	040005550	034533008
Lifting capacity in t		1,5	2,0	2,2
Steering-/load wheels*		PUR+SR/PUR	PUR+SR/PUR	PUR+SR/PUR
Wheel size front in mm		220x100	250x100	220x100
Supporting wheel in mm		125x40	125x40	150x50
Load wheel size rear in mm		80x80	80x80	80x80
Number of wheels front/rear X=driven		2+1X/4	2+1X/4	2+1X/4
Lifting height in mm	$h_3$	115	115	115
Load center in mm	$c$	600	600	600
Fork height max. in mm	$h_{15}$	200	200	200
Fork height min. in mm	$h_{13}$	85	85	85
Height of steering handle in mm	$h_{14}$	1450	1437	1350
Total length in mm	$L_1$	1600	1722	1930
Total width in mm	$B$	780	750	790
Fork length in mm	$l$	1150	1150	1150
Fork width in mm	$e$	180	180	170
Fork height in mm	$s$	60	60	50
Carrying fork width in mm	$b_1$	550	550	550
Clear width in mm	$b_3$	190	190	210
Floor/ground clearance in mm	$m_1$	25	35	35
Aisle width for euro pallets in mm	$A_{st}$	1880	1920	2250
Turning radius in mm	$W_a$	1460	1560	1760
Drive speed loaded/unloaded in km/h		5/6	5/6	5/6
Lifting speed loaded/unloaded in m/sec		0,04/0,05	0,04/0,05	0,04/0,05
Lowering speed loaded/unloaded in m/sec		0,26/0,06	0,05/0,04	0,05/0,04
Max. gradient loaded/unloaded in %		8/15	8/15	8/15
Operating brake		electromagnetic	electromagnetic	electromagnetic
Drive motor rating in kW		0,7	1,3	1,2
Lift motor rating in kW		0,8	1,2	1,2
Battery according to DIN 43531		semi-traction	PzS	PzS
Battery voltage in V/Ah		2x12/90	24/160	24/160
Type of steering		pulse controlled	pulse controlled	pulse controlled
Battery charger in V/A		24/15	24/30	24/30
Weight in kg without battery		200	250	370

\* Solid Rubber (SR), Polyurethane (PUR)