

Dorvic

Multi-roller Skates

THE UK'S PRINCIPAL SKATE AND ROLLER MANUFACTURERS



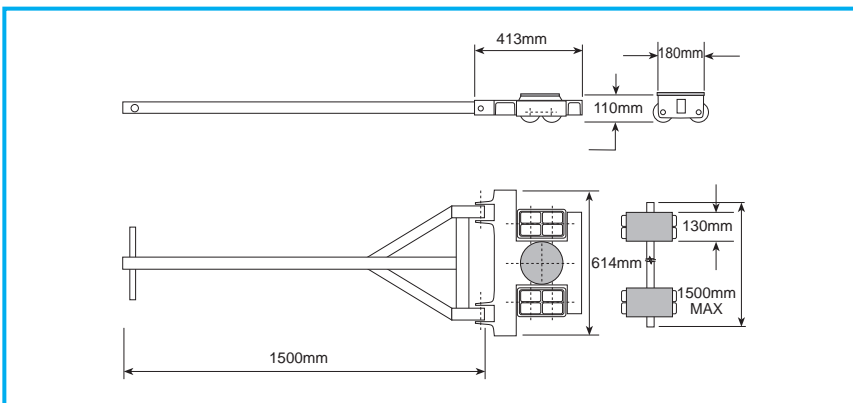
Model: DB3

Set capacity (nylon wheels) 12,000kgs
(Illustrated)

Set capacity (polyurethane wheels) 8,000kgs

Dorvic multi-roller skates provide a comprehensive modular load moving system designed to safely cope with moving heavy weights.

- Supplied with either nylon or polyurethane wheels as standard. Steel wheels available by request.
- Nylon wheels for use on good to average floor surfaces.
- Polyurethane wheels for use on sensitive floors e.g. highly painted, tiled surfaces.
- All wheels have shielded ball bearings for low rolling resistance.
- No floor damage.
- Steerable front skates for total control.
- Even weight distribution.
- Modular format for three or four point moving.
- Non-slip neoprene pads on each load bearing surface.
- Low weight and compact size for easy transportation.
- Combinations provide easy configurations.
- Manufactured to the highest specifications by Dorvic, The U.K's No.1 manufacturer of heavy load moving skates since 1967.



Steerable Turntable Skate			Adjustable Rear Skates		
Model Ref	Nylon Polyurethane	DB3/STS/N DB3/STS/P	Model Ref	Nylon Polyurethane	DB3/ARS/N DB3/ARS/P
Capacity	Nylon Polyurethane	6,000kgs 4,000kgs	Capacity (pair)	Nylon Polyurethane	6,000kgs 4,000kgs
Overall height	110mm		Overall height	110mm	
Overall width	614mm		Adjustable width	To 1500mm Max	
Turntable dia	190mm		Load surfaces	2 No. 180mm x 130mm	
Wheels	8 No. 82mm dia x 48mm		Wheels	8 No. 82mm dia x 48mm	
Handle length	1500mm				
Weight (inc. handle)	44kgs		Weight (each skate)	8.5kgs	
Weight of total set 65kgs					

© Dorvic Skates 2003. All rights reserved
All dimensions and weights are approximate.
We reserve the right to alter or amend designs
and materials specifications without notice.



Dorvic Skates, New Street,
Halfway, Sheffield, S20 3GH, UK.

Tel: +44 (0) 114 248 5633 E-mail: sales@dorvic.com
Fax: +44 (0) 114 251 0654 Web: www.dorvic.com