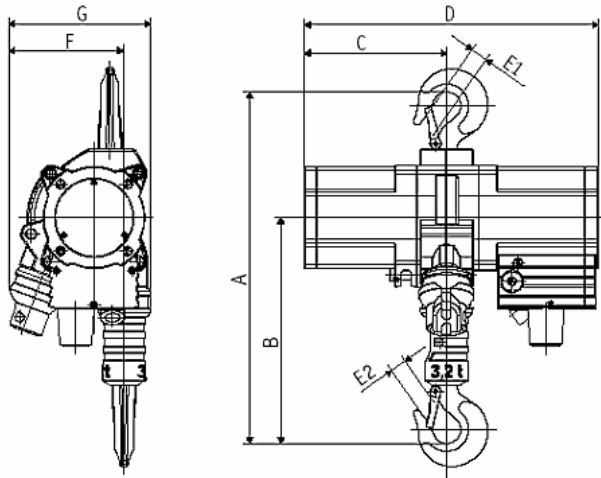


AIR Hoist JDN Profi

PROFI 3 TI - PROFI 20 TI

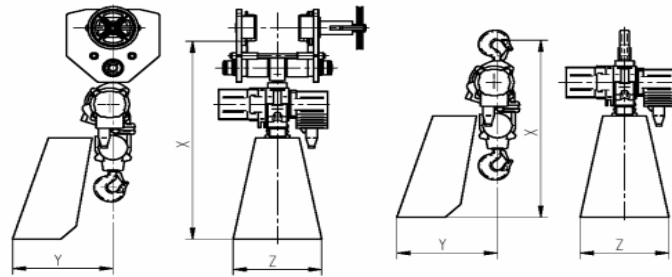


Dimension in mm

Type	3 TI	6 TI	10 TI	16 TI	20 TI
A smallest headroom *	593	674	813	898	1030
B	373	454	548	598	670
C	233	233	308	382	382
D	483	483	575	692	692
E1	40	40	44	53	75
E2	30	40	44	53	75
F up to hook center	187	154	197	199	180
G biggest width	233	233	308	308	315

* Chain containers increase the headroom. » Dimensions with chain containers

Dimensions with chain containers



	max. lift [m]	chain container		trolley		
		type	without	with	Y	Z
PROFI 3 TI	4	10	635	680	416	324
	6	11	685	730	431	342
	10	12	785	830	462	380
	16	13	905	950	496	426
PROFI 6 TI	5	12	830	875	432	380
	8	13	950	995	466	426
	12	14	1060	1105	502	466
	20	15	1250	1295	560	538
PROFI 10 TI	5	13	1000	1130	495	426
	8	14	1110	1240	531	466
	13	15	1300	1430	589	538
	18	16	1450	1580	634	594
PROFI 16 TI	5	14	1145	1240	531	466
	8	15	1335	1430	589	538
	12	16	1485	1580	634	594
	17	17	1675	1770	692	665

Type		3 TI		6 TI		10 TI		16 TI		20 TI	
		4	6	4	6	4	6	4	6	4	6
Air pressure	bar	4	6	4	6	4	6	4	6	4	6
Carrying capacity	t	3,2		6,3		10		16		20	
Number of chain strands		1		2		2		3		4	
Engine output	kW	1,8	3,5	1,8	3,5	1,8	3,5	1,8	3,5	1,8	3,5
Lifting speed at full load	m/min	2,5	5	1,2	2,5	0,8	1,6	0,5	1	0,4	0,7
Lifting speed without load	m/min	6	10	3	5	2	3,2	1,3	2	1,0	1,4
Lowering speed at full load	m/min	7,5	10,8	3,6	5,4	2,5	3,4	1,6	2,1	1,2	1,6
Air consumption at full load - Lifting	m³/min	2	4	2	4	2	4	2	4	2	4
Air consumption at full load - Lowering	m³/min	3,5	5,5	3,5	5,5	3,5	5,5	3,5	5,5	3,5	5,5
Air connection		G 3/4		G 3/4		G 3/4		G 3/4		G 3/4	
Hose dimension (e inside / ø outside)	mm	19/31		19/31		19/31		19/31		19/31	
Weight at standard lift (3 m), rope control without delta p	kg	86		110		156		240		285	
Chain dimension	mm	13 x 36		13 x 36		16 x 45		16 x 45		16 x 45	
Weight of 1 m chain	kg	3,8		3,8		5,8		5,8		5,8	
Standard lift	m	3		3		3		3		3	
Length of control at standard lift	m	2		2		2		2		2	
Sound level at full load* with standard silencer - lifting	dB(A)	74	78	74	78	74	78	74	78	74	78
Sound level at full load* with standard silencer - lowering	dB(A)	79	80	79	80	79	80	79	80	79	80

*measured in 1 m distance acc. to DIN 45635 part 20



lifting point